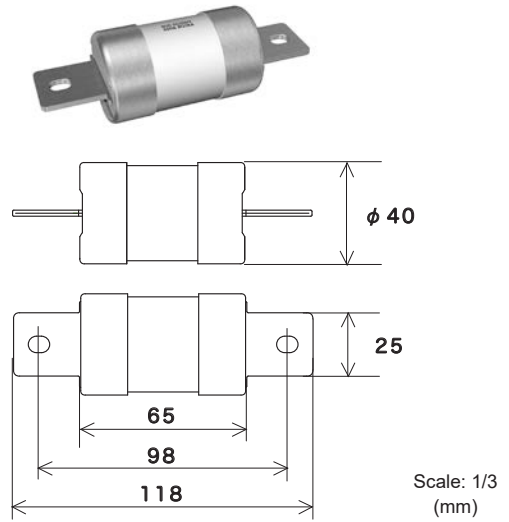
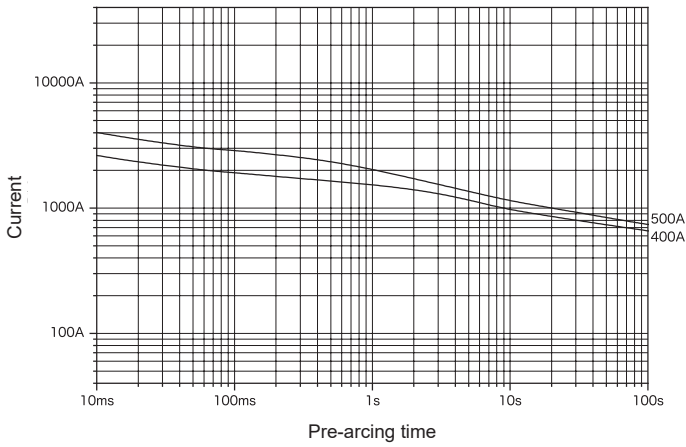


Representative pre-arcing time-current characteristics



Rated voltage	Certification	Rated current ( $I_N$ ) *1	Rated breaking current	Min. breaking current	Current carrying capacity	Overload operation
DC 800 V	-	400 A	10000 A ( $\tau \leq 1$ ms)	20.0 $I_N$	0.75 $I_N$ until temperature stabilization occurs	-
DC 500 V			20000 A ( $\tau \leq 1$ ms)	2.0 $I_N$		1 s–300 s at 2.0 $I_N$

\*1: Please contact your local SOC sales representative for rated currents which are not listed.